

XGLing

Since 2007

Company Presentation



01



Company Profile

02



Products Introduction

03



Company Advantage



I **Company Profile**

I **Factory Views**

COMPANY PROFILE

XGLing has been started since the year of 2007. We were originally doing international import and export trading. The main products are LED power supply and Intelligent system.

Since 2019, we started developing Micro Inverter, Portable Power Station and Solar Panel products. Until now, we have whole series of Micro Inverter from 300W to 2800W, Portable Power Station from 100Wh to 3600Wh, Solar Panel from 30W to 3000W, selling them to all around the world. We get good reputation from clients.

ALL OF OUR PRODUCTS ARE RELATED TO POWER AND ENERGY SAVING.

15
MILLION USD



2 location:
NINGBO & SHENZHEN

20+
R&D ENGINEER



100+
EMPLOYEES



16
YEARS HISTORY



10%
SALES AMOUNT
DEDICATED TO R&D



XGLing

www.light-driver.com



Factory View

XGLing

www.light-driver.com



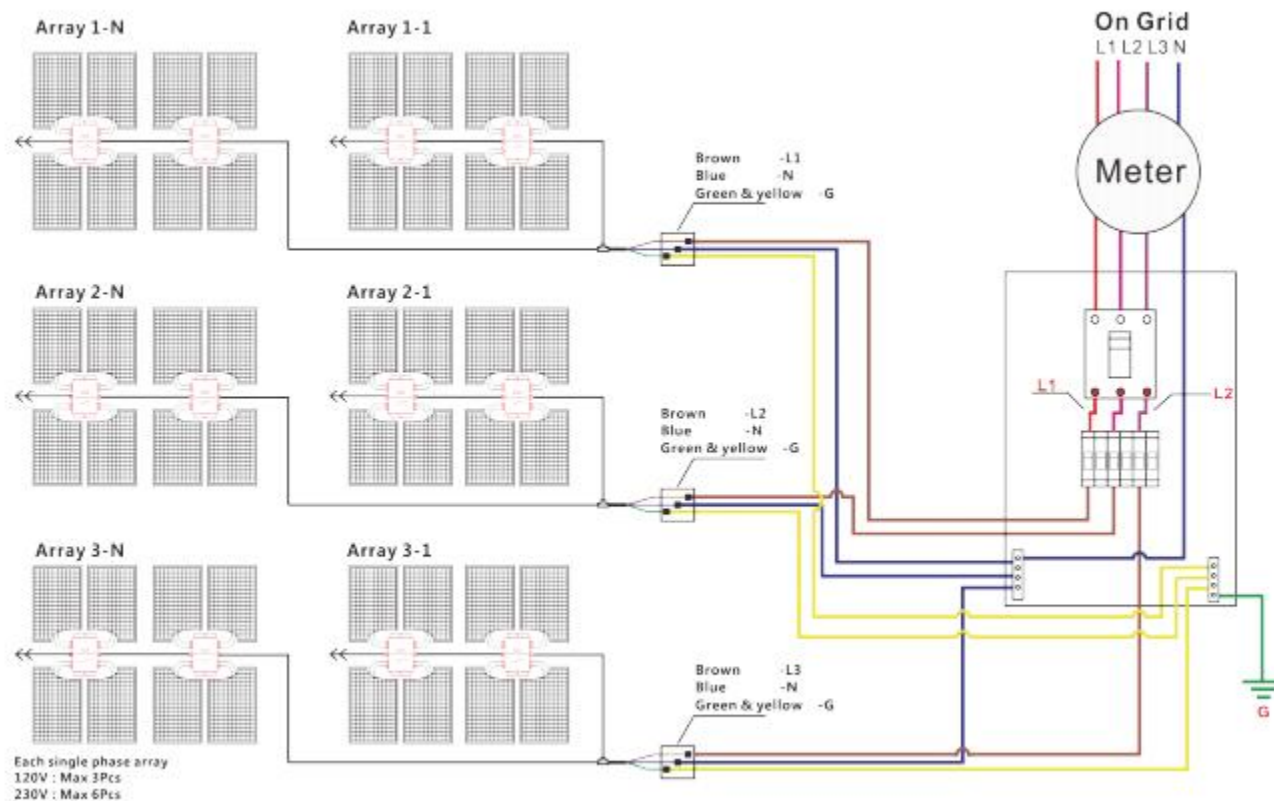
Factory View



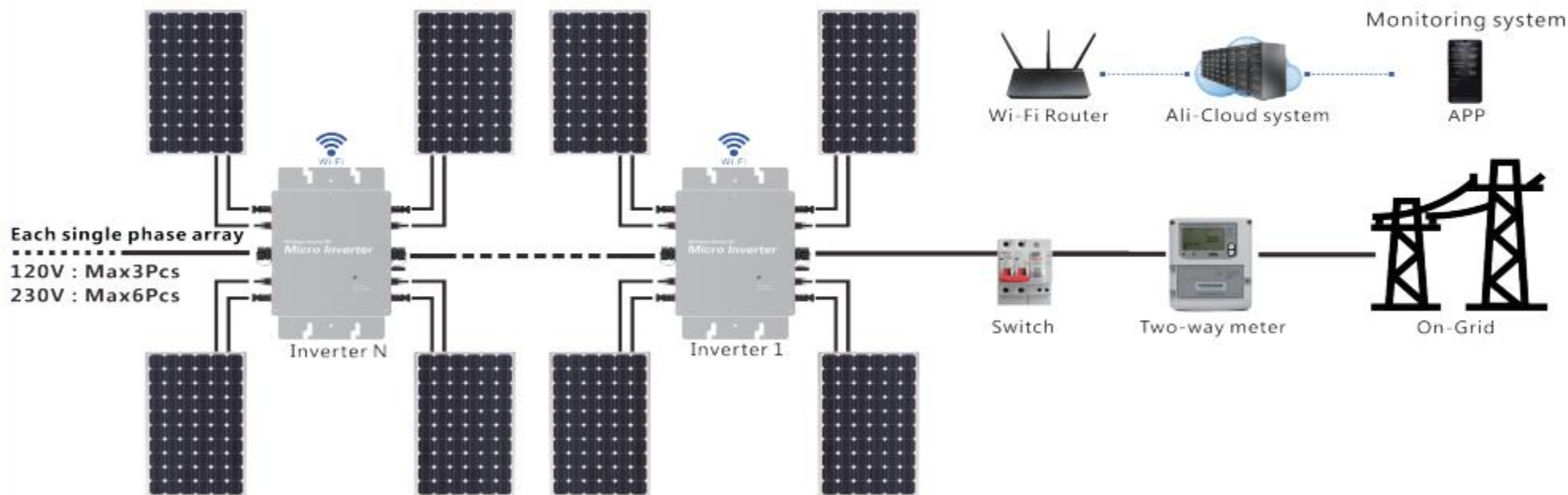
- | **Micro Invertor**
- | **Portable Power Station**
- | **Solar Panel**



Three-phase connection diagram



Wi-Fi Communication mode





100W – 500W



600W – 1000W



1200W – 3600W

3 Charging Mode

AC/CAR/Solar



XGLing

PORTABLE POWER STATION

www.light-driver.com

Using Scene





30W – 400W



10W – 560W

XGLing

SOLAR PANEL

www.light-driver.com

◆ Application of solar panels

- Households electricity source
- PV on and off grid system
- Solar air conditioner and fridge
- Portable solar system
- Solar mobile charger



◆ Solar power station

- Agriculture/fishery PV power station
- Wind/solar alternative power station
- PV in-ground power station



◆ Transportation aspect

- Solar boat/yacht
- Solar carts
- Beacons
- Traffic indicators and caution lights
- Solar street lights





03

**Company
Advantage**

- | R&D Advantage
- | Service Advantage
- | Partner



Micro Inverter

Powerful power generation, efficient conversion
IoT monitoring

High efficiency MPPT / independent high frequency
modulation and grid connection / cloud intelligent
IoT monitoring multiple inverters stacked / compact
and portable / easy to install



Micro Inverter

Streamlined design

Acid and alkali resistance and oxidation resistance, the product is more beautiful and generous, and will never fade in the outdoor environment

- Streamlined design
 - Acid and alkali resistance
- Oxidation treatment
 - Bright silver sandblasting
- Aluminum shell
 - IP65 waterproof design
- Never fade

IP65 waterproof design

High voltage anode treatment, acid and alkali resistance, oxidation resistance

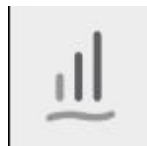
IP67 waterproof rating to prevent rainwater intrusion
High pressure electrolytic oxidation surface treatment
High-quality aluminum alloy shell, beautiful and generous



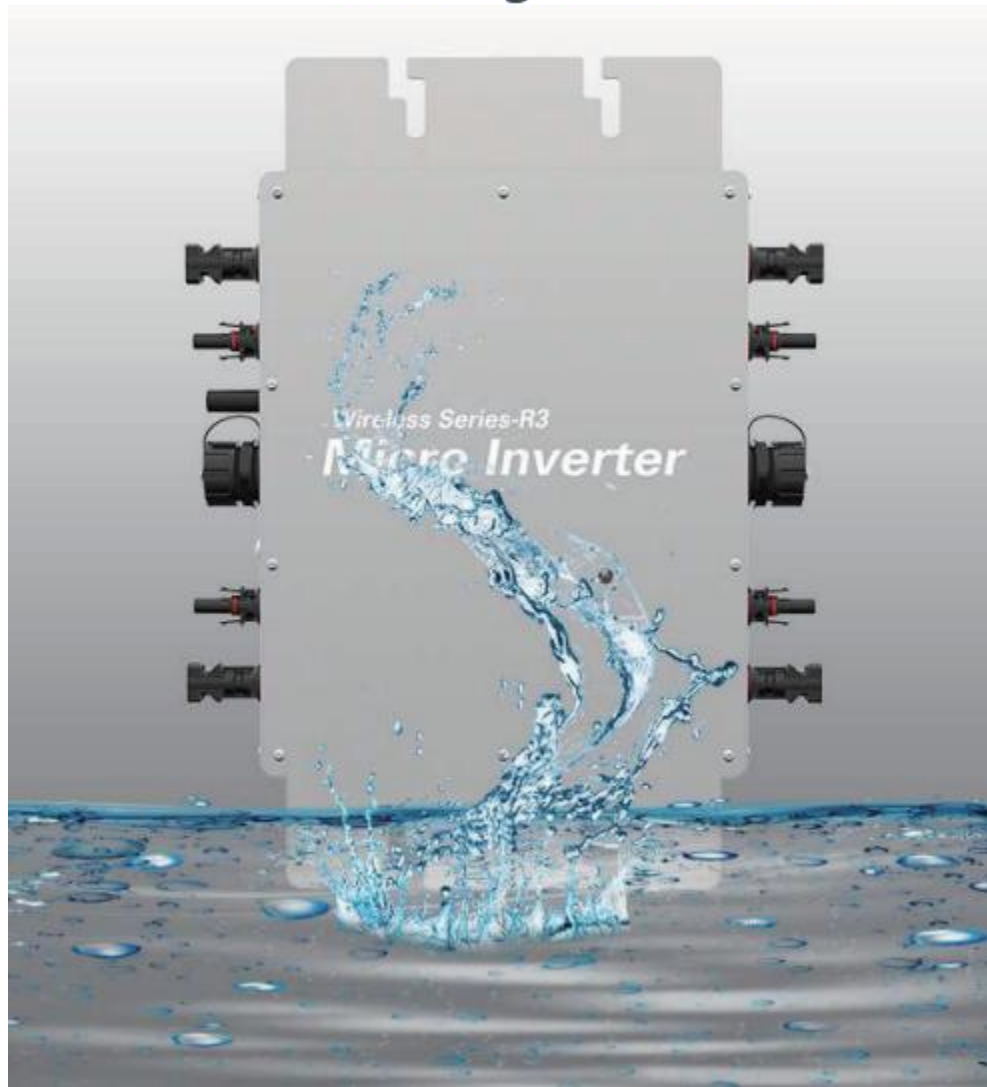
High precision
MPPT
Increase
power generation



IP65
waterproof
Suitable
for outdoor

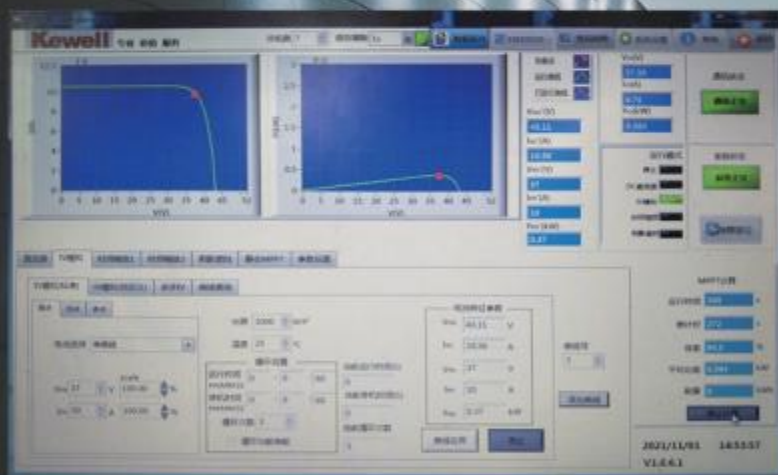


Increase power
generation
Automatic
power tracking



4 channel MPPT control

Up to 4 channels of Maximum Power Point Tracking (MPPT) can effectively capture the maximum power point of sunlight



MPPT Testing



Pure Sine Wave AC Output

Clean/Stable/Safe



Battery Management System

Multiple Protect Systems



- Over Charge Protection
- Over Temperature Protection
- Over Voltage Protection
- Short Circuit Protection
- Over Current Protection
- DC Auto Sleep
- Pure Sine Wave
- Cycle Life

High Quality Car Powerful Cells

UN38.3 Safety Certificates

- Long Cycle Life
- Real Capacity
- More Safer





power sags



Lighting Surge



Under Voltage



Transient



Mains Interruption



Harmonic Distortion



Over Voltage



Frequency Fluctuation



Electric Interference



World Wide Standard Certificates



Safety Certification
Standard for EU



Safety Certification
Standard For USA



Safety Certification
Standard For JP



Environmental
Certification



Transportation
Certification



3C Certification
For Electric Devices

CERTIFICATE OF CONFORMITY
No. PT221273244018-EW61

Applicant: Precise Testing & Certification (Chongqing) Co., Ltd.
Address: #F, Building No.4, Liangjiang Science and Technology Park, 2nd Floor, No.4, Liangjiang Science and Technology Park, China
Manufacturer: Shenzhen J3D Network Technology Co., Ltd.
Address: #F, Building No.4, Liangjiang Science and Technology Park, 2nd Floor, No.4, Liangjiang Science and Technology Park, China
Trade Mark: J3D
Product: Portable Power Station
Model No.: PT221273244018-EW61

CE mark: PS E

500c's Compliance Information Statement
No. PT221273244018-EW61

Applicant: #F, Building No.4, Liangjiang Science and Technology Park, 2nd Floor, No.4, Liangjiang Science and Technology Park, China
Manufacturer: Shenzhen J3D Network Technology Co., Ltd.
Address: #F, Building No.4, Liangjiang Science and Technology Park, 2nd Floor, No.4, Liangjiang Science and Technology Park, China
Trade Mark: J3D
Product: Portable Power Station
Model No.: PT221273244018-EW61

FC mark: FC

適合検査証明書
適合検査済

申請者: 株式会社 精密検査 証明番号: PT221273244018-EW61
住所: 〒4000001 静岡県静岡市駿河区西3丁目2番地
申請先: 株式会社 J3D Network Technology Co., Ltd. 住所: 〒4100001 静岡県静岡市駿河区西3丁目2番地
商標: J3D
製品名: PT221273244018-EW61
製品番号: PT221273244018-EW61

PS E mark: PS E

Test Report

Report No.: PT221273244018-EW61 Issue Date: 16 Aug 2021 Page: 11 of 11

Applicant: Shenzhen J3D Network Technology Co., Ltd.
Address: #F, Building No.4, Liangjiang Science and Technology Park, 2nd Floor, No.4, Liangjiang Science and Technology Park, China
Sample Name: Portable Power Station
Item: Item name: PT221273244018-EW61
Tester: Shenzhen J3D Network Technology Co., Ltd. #F, Building No.4, Liangjiang Science and Technology Park, 2nd Floor, No.4, Liangjiang Science and Technology Park, China
Inspector: #F, Building No.4, Liangjiang Science and Technology Park, 2nd Floor, No.4, Liangjiang Science and Technology Park, China
Sample Received Date: 15 Aug 2021
Completed Date: 16 Aug 2021

Test Results and Test Method/Item: All test results are in compliance with the requirements of the applicable standards.

UN38.3 测试报告
UN38.3 Test Report

样品名称: 便携式电源
Altitude: Portable Power Station 9014
检测机构: 精密检测认证(广东)有限公司
送检日期: 2021年8月15日
报告日期: 2021年8月16日

精密检测认证(广东)有限公司
Precise Testing & Certification (Guangdong) Co., Ltd.

中国国家强制性产品认证证书
证书编号: 202101070238798

申请人: 精密检测认证(广东)有限公司
证书持有人: 精密检测认证(广东)有限公司
生产厂: 精密检测认证(广东)有限公司
产品中文名称: 移动电源
英文名称: 便携式电源
生产厂名称: 精密检测认证(广东)有限公司

认证依据: GB 4943-2011
认证日期: 2021年8月16日
证书有效期至: 2024年8月15日

中国质量认证中心



The logo for GREE, featuring a stylized blue and orange 'G' icon followed by the word 'GREE' in blue and the Chinese characters '格力' in black.The logo for PISEN, featuring the word 'PISEN' in blue and the Chinese characters '品胜' in black.The logo for POWERWORKS, featuring the word 'POWERWORKS' in black.The logo for ROMOSS, featuring the word 'ROMOSS' in blue with a registered trademark symbol and the Chinese characters '罗马仕' in black below it.The logo for AUKEY, featuring a stylized black 'A' icon above the word 'AUKEY' in black.The logo for wavlink, featuring a stylized blue 'w' icon followed by the word 'wavlink' in blue.The logo for OUKITEL, featuring the word 'OUKITEL' in black.The logo for EVE, featuring the word 'EVE' in red and the Chinese characters '亿纬锂能' in black.The logo for TEXAS INSTRUMENTS, featuring a red outline of the state of Texas followed by the words 'TEXAS INSTRUMENTS' in black.The logo for ARROW ELECTRONICS, INC., featuring a stylized blue 'A' icon followed by the word 'ARROW' in blue and 'ELECTRONICS, INC.' in black below it.

XGLing



www.light-driver.com



THANK YOU ►